



Electronic Diagnostic and Repair
 7520 W. Waters Av.
 Suite 16
 Tampa, Fl. 33615

Ph: 888-891-EDR1 (3371)
 Ph: 813-887-3883
 Fax: 813-885-4033

REPAIR AND CALIBRATION

	CALIBRATION ONLY	REPAIR AND CALIBRATION	DROPPED UNIT REPAIR & CAL.
VISUAL INSPECTION	X	X	X
REPAIR WIRES AS NEEDED		X	X
REPLACE FILTERS AS NEEDED		X	X
REPLACE BAD HOSES		X	X
CLEAN INSIDE AND OUTSIDE OF UNIT	X	X	X
CHARGE BATTERY	X	X	X
PERFORM 24 HR BURN IN	X	X	X
90 DAY PARTS AND LABOR WARRANTY*		X	X
REPLACE ANY NON WORKING INTERNAL COMPONENT		X	X
REPLACE EXTERNAL CASING AS NEEDED			X
8100	\$ 250.00	\$ 700.00	\$ 850.00
8100T	\$ 250.00	\$ 750.00	\$ 880.00
8300 (VETERINARY UNIT)	\$ 250.00	\$ 700.00	\$ 850.00
9300 (XL)	\$ 250.00	\$ 700.00	\$ 850.00
9340 (XL)	\$ 250.00	\$ 750.00	\$ 880.00
845, 847	\$ 200.00	\$ 200.00 Evaluation Fee	
1846, 1846SX, 1846SXP	\$ 200.00	\$ 200.00 Evaluation Fee	
COMPACT: -T, -S, -TS, -BP	\$ 250.00	\$ 200.00 Evaluation Fee	
PLUS: 8700, 9700	\$ 250.00	\$ 200.00 Evaluation Fee	
PRO SERIES	\$ 250.00	\$ 200.00 Evaluation Fee	
PROCARE SEARIES	\$ 250.00	\$ 200.00 Evaluation Fee	
SELECT MPS and PORTABLE	\$ 200.00 + \$50.00 per module	\$ 200.00 Evaluation Fee	

ALL PRICES SUBJECT TO CHANGE WITHOUT NOTICE.

REVISED 12/15/11

\$10.00 HANDLING FOR ORDERS UNDER \$50.00.

PRICES ARE IN US DOLLARS.

PRICES DO NOT INCLUDE SHIPPING AND HANDLING.



Electronic Diagnostic and Repair
 7520 W. Waters Av.
 Suite 16
 Tampa, Fl. 33615

Ph: 888-891-EDR1 (3371)
 Ph: 813-887-3883
 Fax: 813-885-4033

**Refurbished Units for Sale,
 Lease Option or Rental**
 6 Month Warranty, Parts and Labor.
 Units are Tested and Calibrated.
 Test Equipment Calibrated to NIST.

Description	Sale Price	Lease Option	Rental
Dinamap 1846SX	\$ 500.00	----	----
Dinamap 8100	\$ 700.00	\$ 70.00	\$ 75.00
Dinamap 8100T	\$ 800.00	\$ 80.00	\$ 85.00
Dinamap 8300 (Veterinary)	\$ 1,000.00	\$ 125.00	\$ 145.00
Dinamap 9300 (XL)	\$ 2,000.00	\$ 170.00	\$ 190.00
Dinamap 9340 (XL)	\$ 2,400.00	\$ 200.00	\$ 220.00
Dinamap 8725 (Plus), Battery Module	\$ 400.00	----	----
Dinamap 8726 (Plus), Battery and Printer Module	\$ 600.00	----	----
Dinamap MPS Select Portable, (Modules Not Included)	\$ 800.00	\$ 125.00	\$ 145.00
Dinamap MPS Select Desk Top, (Modules Not Included)	\$ 800.00	\$ 170.00	\$ 190.00
Dinamap MPS Select Modules:			
117300 NIBP Exchange Plus \$200.00 Core	\$ 450.00	\$ 50.00	\$ 60.00
117310 SpO2 Exchange Plus \$200.00 Core	\$ 400.00	\$ 45.00	\$ 55.00
117322 ECG III/TMP/RESP Exchange Plus \$200.00 Core	\$ 800.00	\$ 80.00	\$ 85.00
117324 ECG VI/TEMP/RESP Exchange Plus \$200.00 Core	\$ 800.00	\$ 80.00	\$ 85.00
117335 Printer	\$ 400.00	\$ 60.00	\$ 65.00
8727 External Battery Charger, 4 position For Compact and Plus Battery P/N 633132	\$ 500.00	----	----

Rental units are on a Month to Month basis after a three Month minimum rental.
 Units are warranted (parts and labor) for the duration of the rental unless the unit has been dropped or abused.

Lease Option units are for a twelve Month period which after the twelfth Month the leaser owns the unit.
 Units are warranted (parts and labor) for the duration of the lease unless the unit has been dropped or abused.



Electronic Diagnostic and Repair
 7520 W. Waters Av.
 Suite 16
 Tampa, Fl. 33615

Ph: 888-891-EDR1 (3371)
 Ph: 813-887-3883
 Fax: 813-885-4033

8100	8100T	External parts			
Part #	Part #	Description	Price	Core Charge*	Price plus Core
701252		Front panel overlay 8100	\$ 180.00		
	300918	Front panel overlay 8100T	\$ 195.00		
701391		Front panel overlay 8100 (FRENCH)	\$ 180.00		
	300641	Molded bezel	\$ 217.00		
300608		Rear case w/labels	\$ 175.90		
	300632	Rear case w/labels	\$ 190.00		
	320439	Probe holder assembly	\$ 47.52		
		Internal Parts			
365189		EPROM software ver. RAN	\$ 65.00		
	365155	EPROM software ver. RBI	\$ 65.00		
	300917	Internal plastic frame	\$ 165.00		
315253		Display board	\$ 400.00		
315301		Display board (low profile)	\$ 400.00		
	315288	Display board, (EXCHANGE)	\$ 450.00	\$ 200.00	\$ 650.00
	315337	Display board (low profile), (EXCHANGE)	\$ 450.00	\$ 200.00	\$ 650.00
	315254	CPU board (thru hole) , (EXCHANGE)	\$ 550.00	\$ 200.00	\$ 750.00
	315293	CPU board (thru hole) , (EXCHANGE)	\$ 550.00	\$ 200.00	\$ 750.00
	315320	CPU board (surface mount) , (EXCHANGE)	\$ 575.00	\$ 200.00	\$ 775.00
	315255	Power supply board (EXCHANGE)	\$ 300.00	\$ 150.00	\$ 450.00
	315291	Power supply board (EXCHANGE)	\$ 350.00	\$ 150.00	\$ 500.00
	315372	Power supply w/fast charger board	\$ 400.00		
	300660	Kit, Upgrade, Power Supply, 8800T	\$ 400.00		
	315256	Pneumatics board (Replaced by board 315317)	\$ 525.00		
	315292	Pneumatics board (Replaced by board 315317)			
	315296	Pneumatics board	\$ 525.00		
	315317	Pneumatics board (Replaces boards 315292, 315256) , (EXCHANGE)	\$ 525.00	\$ 200.00	\$ 725.00
	316339	Temp. probe conn. (wires to display board)	\$ 60.00		
	300681	Temp. probe conn. (solders to display board)	\$ 40.00		
	320438	Calibration plug	\$ 70.30		
	320246	Calibration kit	\$ 47.50		
	TP11409	Probe, Temperature, Oral, Blue (Was 008814)	\$ 225.00		
	2031367-001	Power Chord, Gray (Was 316579)	\$ 32.00		
	320632	PWR CORD RETAINING ASSY	\$ 32.00		

ALL PRICES SUBJECT TO CHANGE WITHOUT NOTICE.

REVISED 12/15/11

\$10.00 HANDELING FOR ORDERS UNDER \$50.00.

PRICES ARE IN US DOLLARS.

PRICES DO NOT INCLUDE SHIPPING AND HANDELING.



Electronic Diagnostic and Repair
 7520 W. Waters Av.
 Suite 16
 Tampa, Fl. 33615

Ph: 888-891-EDR1 (3371)
 Ph: 813-887-3883
 Fax: 813-885-4033

8100	8100T	Internal Parts (continued)			
Part #	Part #	Description	Price		
704719		Bulkhead Fitting, Cuff connector (requires E-rings)	\$ 9.85		
736171		E-ring for cuff connector	\$ 1.43		
715117		NUT,HEX SPECIAL 5/16-24 BRASS	\$ 1.00		
754118		Filter, 43 Micron, Airline	\$ 10.50		
759183		Pole Clamp Knob	\$ 40.00		
719257		Screw, Pole Clamp Knob, 10-32 x 1-1/8, Black	\$ 3.95		
320400		Pole clamp assembly	\$ 25.00		
704646		Screw, Left Hand, Pole Clamp	\$ 38.05		
759218		T-Nut, Pole Clamp	\$ 29.95		
704647		Thrust Plate, Pole Clamp	\$ 6.25		
320413		Pump assembly (Exchange)	\$ 300.00	\$ 100.00	\$ 400.00
740185		Tubing Pump Assy	\$ 9.00 / Ft.		
740107		Tubing Unit	\$ 9.00 / Ft.		
320431		Assembly, Power Input Module	\$ 139.06		
320432		Transformer Assembly, 120V	\$ 110.00		
320378		Battery	\$ 55.50		
316341		Battery cable	\$ 31.24		
300730		P-8100T, PRINTER MECHANESUM	\$ 90.00		
008156		THERMAL RECORDING PAPER, P-81T	\$ 55.00	BOX OF 10	
776635		MANUAL,OPS 8100	\$ 75.00		
	776637	MANUAL,OPS 8100T	\$ 75.00		
328630		MANUAL SERVICE 8100	\$ 300.00		

ALL PRICES SUBJECT TO CHANGE WITHOUT NOTICE.

REVISED 12/15/11

\$10.00 HANDELING FOR ORDERS UNDER \$50.00.

PRICES ARE IN US DOLLARS.

PRICES DO NOT INCLUDE SHIPPING AND HANDELING.



Electronic Diagnostic and Repair
 7520 W. Waters Av.
 Suite 16
 Tampa, Fl. 33615

Ph: 888-891-EDR1 (3371)
 Ph: 813-887-3883
 Fax: 813-885-4033

ACCESSORIES			
Part #	Description		Price Each
008841	Air Hose, Adult-Pediatric, 12 ft, Screw Connector to Screw Connector, Blue		\$ 98.00
008842	Air Hose, Adult-Pediatric, 24 ft, Screw Connector to Screw Connector, Blue		\$ 120.00
008840	Air Hose, Neonatal, 8 ft, Screw Connector to Female Slip Luer, Light Blue		\$ 98.00
300593	O-Ring, 10 pack, for 008841, 008842		\$ 12.00
754505	CONNECTOR,SCREW CAP/HOSE		\$ 12.75
2027068-001	CONNECTOR,FEMAIL, SLIP LUER, for 008840 Air Hose		\$ 15.00
300664	CONN,MALE SCREW TO 5/32ID TUBE 10PK (CUFF)		\$ 20.00
	INFANT	8 – 13 cm	
	CHILD	12 – 19 cm	
	SMALL ADULT	17 – 25 cm	
	ADULT	23 – 33 cm	
	LARG ADULT	31 – 40 cm	
	THIGH	38 – 50 cm	
	NEONATAL #1	3 – 6 cm	
	NEONATAL #2	4 – 8 cm	
	NEONATAL #3	6 – 11 cm	
	NEONATAL #4	7 – 13 cm	
	NEONATAL #5	8 – 15 cm	
002774	DURA-CUF* Cuff, Adult, 2-Tube Screw Connector, Navy		\$ 58.13
002779	DURA-CUF* Cuff, Small Adult, 2-Tube Screw Connector, Royal Blue		\$ 55.13
002781	DURA-CUF* Cuff, Child, 2-Tube Screw Connector, Green		\$ 54.75
002783	DURA-CUF* Cuff, Infant, 2-Tube Screw Connector, Rust		\$ 54.75
002772	DURA-CUF* Long Adult, 2-Tube Screw Connector, Navy Blue		\$ 60.00
002791	DURA-CUF* Cuff, Large Adult, 2-Tube Screw Connector, Wine		\$ 61.88
002796	DURA-CUF* Cuff, Thigh, 2-Tube Screw Connector, Brown		\$ 65.63
002638	CLASSIC-CUF* Cuff, Neonatal #1, 2-Tube Neo - Male Slip Luer, Orange Fish		\$ 8.06
002633	CLASSIC-CUF* Cuff, Neonatal #2, 2-Tube Neo - Male Slip Luer, Blue Bunny		\$ 8.25
002628	CLASSIC-CUF* Cuff, Neonatal #3, 2-Tube Neo - Male Slip Luer, Green Duck		\$ 8.44
002623	CLASSIC-CUF* Cuff, Neonatal #4, 2-Tube Neo - Male Slip Luer, Blue Dog		\$ 8.63
002619	CLASSIC-CUF* Cuff, Neonatal #5, 2-Tube Neo - Male Slip Luer, Red Dinosaur		\$ 8.81
002643	CLASSIC-CUF* Cuff, Large Adult, 2-Tube Screw Connector, Rose/White		\$ 16.13
002603	CLASSIC-CUF* Cuff, Adult, 2-Tube Screw Connector, Navy/White		\$ 15.38
002608	CLASSIC-CUF* Cuff, Small Adult, 2-Tube Screw Connector, Lt Blue/White		\$ 11.70
002648	CLASSIC-CUF* Cuff, Thigh, 2-Tube Screw Connector, Brown/White		\$ 18.75
002613	CLASSIC-CUF* Cuff, Child, 2-Tube Screw Connector, Green/White		\$ 11.10
002618	CLASSIC-CUF* Cuff, Infant, 2-Tube Screw Connector, Orange/White		\$ 10.50
002642	CLASSIC-CUF* Cuff, Large Adult, 2-Tube Screw Connector, Yellow		\$ 16.50
002602	CLASSIC-CUF* Cuff, Adult, 2-Tube Screw Connector, Yellow		\$ 15.60
002607	CLASSIC-CUF* Cuff, Small Adult, 2-Tube Screw Connector, Yellow		\$ 15.00
002521	SOFT-CUF* Cuff, Neonatal #1, 2-Tube Neo - Male Slip Luer, Orange Fish		\$ 8.05
002422	SOFT-CUF* Cuff, Neonatal #2, 2-Tube Neo - Male Slip Luer, Blue Bunny		\$ 8.25
002523	SOFT-CUF* Cuff, Neonatal #3, 2-Tube Neo - Male Slip Luer, Green Duck		\$ 8.43
002524	SOFT-CUF* Cuff, Neonatal #4, 2-Tube Neo - Male Slip Luer, Blue Dog		\$ 8.63
002525	SOFT-CUF* Cuff, Neonatal #5, 2-Tube Neo - Male Slip Luer, Red Dinosaur		\$ 8.81

ALL PRICES SUBJECT TO CHANGE WITHOUT NOTICE.

REVISED 12/15/11

\$10.00 HANDELING FOR ORDERS UNDER \$50.00.

PRICES ARE IN US DOLLARS.

PRICES DO NOT INCLUDE SHIPPING AND HANDELING.



Electronic Diagnostic and Repair
 7520 W. Waters Av.
 Suite 16
 Tampa, Fl. 33615

Ph: 888-891-EDR1 (3371)
 Ph: 813-887-3883
 Fax: 813-885-4033

ACCESSORIES (Continued)			
Part #	Description		Price Each
002363	SOFT-CUF* Cuff, Adult, 1 Tube, Bayonet, Navy/White	20/Bx \$144.00	\$ 10.00
002500	SOFT-CUF* Cuff, Infant, 2-Tube Screw Connector, Orange/White	20/Bx \$111.00	\$ 9.00
002501	SOFT-CUF* Cuff, Child, 2-Tube Screw Connector, Green/White	20/Bx \$117.00	\$ 9.00
002502	SOFT-CUF* Cuff, Small Adult, 2-Tube Screw Connector, Lt. Blue/White	20/Bx \$123.00	\$ 9.00
002503	SOFT-CUF* Cuff, Small Adult, 2-Tube Screw Connector, Lt. Navy/White	20/Bx \$225.00	\$ 12.50
002504	SOFT-CUF* Cuff, Large Adult, 2-Tube Screw Connector, Rose/White	20/Bx \$135.00	\$ 10.00
002505	SOFT-CUF* Cuff, Thigh, 2-Tube Screw Connector, Brown/White	20/Bx \$165.00	\$ 12.00
002506	SOFT-CUF* Cuff, Child Long, 2-Tube Screw Connector, Green/White	20/Bx \$123.00	\$ 9.00
002507	SOFT-CUF* Cuff, Small Adult Long, 2-Tube Screw Connector, Lt. Blue/White	20/Bx \$129.00	\$ 10.00
002604	SOFT-CUF* Cuff, Adult Long, 2-Tube Screw Connector, Navy/White	20/Bx \$270.00	\$ 13.50
002644	SOFT-CUF* Cuff, Large Adult Long, 2-Tube Screw Connector, Rose/White	20/Bx \$288.00	\$ 14.40
008812	Tablet Holder, 8100, 9300		\$ 40.00
008821-1	Tablet Holder, 8100, 9300 (Used)		\$ 25.00
008811	TABLET, WRITING (CASE OF 25 TABLETS)	1 Case	\$ 180.00
739135	CASTER, 2.5IN. DIAMETER,HARD RUBBER		\$ 28.13
704710	CORD STRAP, FOR BASKET		\$ 5.00
754135	FITTING, DISCONNECT LUER TAPER NYLON	CALL	
601179	INTERCONNECT CABLE, TEMPERATURE, MODEL 4940		\$ 70.00
R-15	Nellcor, Oxisensor II, Adult O2 Transducer		\$ 22.00
	Masimo Corp., Adult SpO2 disposable sensor, 30 kg		\$ 22.00
3311-V	Opto Sensor, Malaysa, Adult SpO2 disposable sensor		\$ 18.00
2211-5	EnviteC-Denmark ApS, Nellcor, Disposable SpO2 sensor, Infant		\$ 9.00
2211-6	EnviteC-Wismar DmbH, Nellcor, Disposable SpO2 sensor, Neonates		\$ 9.00
ES-3212-9	EnviteC-Wismar DmbH, Nellcor, Small Spo2 Ear sensor		\$ 100.00
1690-003	ConMed 1690 Ultratrace Electrode, (Box of 10 packs - 3per pack)	10 Pk of 3	\$ 9.00
2560	3M Red Dot Monitoring Electrodes With Foam Tape and Sticky Gel	50/bag	\$ 10.00
2670-5	3M Repositionable Radiotranslucent Foam Electrode	5/bag	\$ 1.00
8884-810055	Genius, FirstTemp, Probe Covers	105/box	\$ 12.50
LNC-10	MasimoSet, LNC-10		\$ 120.00

ALL PRICES SUBJECT TO CHANGE WITHOUT NOTICE.

REVISED 12/15/11

\$10.00 HANDELING FOR ORDERS UNDER \$50.00.

PRICES ARE IN US DOLLARS.

PRICES DO NOT INCLUDE SHIPPING AND HANDELING.



Electronic Diagnostic and Repair
 7520 W. Waters Av.
 Suite 16
 Tampa, Fl. 33615

Ph: 888-891-EDR1 (3371)
 Ph: 813-887-3883
 Fax: 813-885-4033

9300	9340	External parts			
Part #	Part #	Description	Price	Core Charge*	Price plus Core
701398		FRONT PANEL OVERLAY, ENGLISH 9300	\$ 180.00		
	701399	FRONT PANEL OVERLAY, ENGLISH 9340	\$ 195.00		
300879		REAR CASE W/LABELS, 9300	\$ 145.90		
	300884	REAR CASE W/LABELS, 9340	\$ 161.24		
759315		BEZEL,MOLDED 9300/9340 SERIES	\$ 131.00		
	320641	ASSY,PROBE HOLDER 9300T,W/D.LOCK	\$ 99.34		
		Internal parts			
300917		INTERNAL PLASTIC FRAME	\$ 165.00		
320378		BATTERY	See 8100 Parts		
316341		BATTERY CABLE	See 8100 Parts		
320413		PUMP ASSEMBLY	See 8100 Parts		
		POLE CLAMP PARTS	See 8100 Parts		
315498		PWA, CPU 9300/40 SERIES	\$ 547.00	\$ 250.00	\$ 797.00
315562		PWA, CPU 9300/40 SERIES	\$ 570.00	\$ 300.00	\$ 870.00
315438		PWA, DISPLAY 9300	\$ 400.00	\$ 200.00	\$ 600.00
	315439	PWA, DISPLAY 9340	\$ 450.00	\$ 200.00	\$ 650.00
365256		SOFTWARE 9300/01/02/04 RBA	\$ 65.00		
		Accessories			
	TP11411	PROBE, TEMPERATURE ORAL (BLUE), (008975)	\$ 185.00		
	008813	PROBE,TEMP,RECTAL,RED,FOR XL 9340	\$ 225.00		
	008815	PROBE COVER (20 covers per box)	See 8100 Accessories		
	320635	TEMPERATURE CALIBRATION PLUG	See Compact Accessories		
	320679	ASSY, PROBE HOLDER 9300T(WAS320641B)	\$ 75.00		
329101		SERVICE MANUAL, W/CAL POUCH 9300/T	\$250.00		

ALL PRICES SUBJECT TO CHANGE WITHOUT NOTICE.

REVISED 12/15/11

\$10.00 HANDELING FOR ORDERS UNDER \$50.00.

PRICES ARE IN US DOLLARS.

PRICES DO NOT INCLUDE SHIPPING AND HANDELING.



Electronic Diagnostic and Repair
 7520 W. Waters Av.
 Suite 16
 Tampa, Fl. 33615

Ph: 888-891-EDR1 (3371)
 Ph: 813-887-3883
 Fax: 813-885-4033

1846SX				
Part #	Description	Price	Core Charge*	Price plus Core
701220	FRONT PANEL, 1846 ENGLISH	\$ 310.00		
701242	FRONT PANEL, 1846SX ENGLISH	\$ 310.00		
315328	PWA,PNEUMATICS(1846 SX, INVERTED TANK)	\$ 350.00	\$ 100.00	\$ 450.00
690114	PRINTER,ASSY 40 COL 3.15W PPR	\$ 120.00		
008956	THERMAL RECORDING PAPER, 1846SX/P, (BOX OF 10)	\$ 315.00		
300659	KIT,AC SWITCH BUTTON ASSY	\$ 25.00		
665113	SWITCH, PUSH BUTTON, AC POWER	\$ 30.00		
316206	CABLE ASSY, POWER SWITCH	TBD		
633111	BATTERY,3.6V,1/2 AA CELL,LITHIUM, MAIN PCB	\$ 17.50		
320351	RESERVOIR ASSY (UP-RIGHT)	\$ 360.00	\$ 100.00	\$ 460.00
320579	RESERVOIR ASSY (INVERTED)	\$ 360.00	\$ 100.00	\$ 460.00
320550	PNEUMATICS MODULE ASSY 1846SX (UP-RIGHT RESERVOIR) (SEND IN FOR REFERBISHMENT)	\$ 360.00		
300606	TANK,GASKET KIT	\$ 58.00		
754118	FILTER,43 MICRON DISP AIRINLINE	\$ 6.20		
754129	VALVE,AIR-CHECK	\$ 21.66		
712264	PUMP,AIR 12VDC MOTOR	\$ 250.00		
616117	VALVE,ELECT 3-WAY PORTED W/FITTINGS	\$ 76.93		
616118	VALVE,ELECT 3-WAY PORTED W/FITTINGS	\$ 76.93		
616119	VALVE,ELECT 3-WAY PORTED W/FITTINGS	\$ 76.93		
616120	VALVE,ELECT 3-WAY PORTED W/FITTINGS	\$ 76.93		
008997	SP02 FINGER SENSOR	\$ 250.00		
008802	SP02 PRE AMPLIFIER INTERFACE FOR FINGER SENSOR	\$ 450.00		
	Air Hose, (Same as 8100s)			
	CUFFs, (Same as 8100s)			

ALL PRICES SUBJECT TO CHANGE WITHOUT NOTICE.

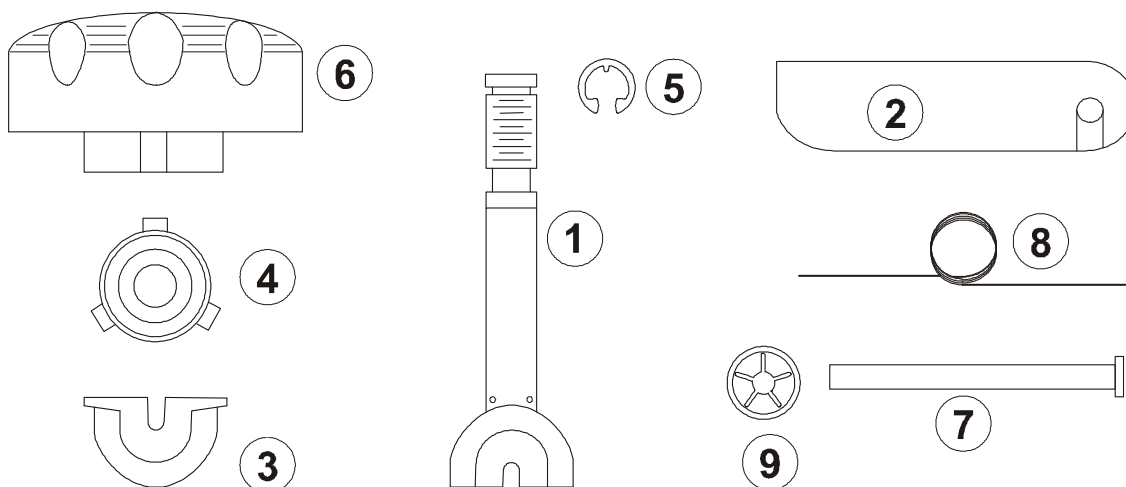
REVISED 12/15/11

\$10.00 HANDELING FOR ORDERS UNDER \$50.00.

PRICES ARE IN US DOLLARS.

PRICES DO NOT INCLUDE SHIPPING AND HANDELING.

COMPACT -T, -S, -TS, -BP				
Part #	Description	Price	Core Charge*	Price plus Core
EXTERNAL PARTS				
320711	REAR CASE (8611 FL)	\$ 256.00		
704963	FRONT BEZEL (8612 FL)	\$ 175.00		
701481	FRONT PANEL, COMPACT T (8615FP-05), (No Printing)	\$ 124.80		
701482	FRONT PANEL, COMPACT TS (8657FP-05) , (No Printing)	\$ 100.80		
701484	FRONT PANEL, COMPACT T, (8799FP)	\$ 100.80		
701483	FRONT PANEL, COMPACT TS, (8798FP)	\$ 100.80		
701488	FRONT PANEL, COMPACT S, (8812 FP)	\$ 100.80		
701489	FRONT PANEL, COMPACT BP, (8838FP)	\$ 100.80		
POLE CLAMP PARTS				
736231	THREADED SHAFT (8744 MA) (1)	\$ 38.55		
736220	ARM (8658 MA) (2)	\$ 13.20		
736221	ADJUSTER (8659 MA) (3)	\$ 10.80		
750200	POLE CLAMP KNOB INSERT (8673 MA) (4)	\$ 33.84		
736217	C-CLIP (HWR 540010) (5)	\$ 1.50		
736223	POLE CLAMP KNOB (8663 MA) (6)	\$ 21.15		
736227	ARM RETAINER PIN (8705 DA) (7)	\$ 17.25		
727166	TORSION SPRING (HWR 550000) (8)	\$ 5.20		
736230	PUSH-ON SPRING CLIP (HWR 540020) (9)	\$ 1.50		



ALL PRICES SUBJECT TO CHANGE WITHOUT NOTICE.

REVISED 12/15/11

\$10.00 HANDLING FOR ORDERS UNDER \$50.00.
 PRICES ARE IN US DOLLARS.

PRICES DO NOT INCLUDE SHIPPING AND HANDLING.



Electronic Diagnostic and Repair
 7520 W. Waters Av.
 Suite 16
 Tampa, Fl. 33615

Ph: 888-891-EDR1 (3371)
 Ph: 813-887-3883
 Fax: 813-885-4033

COMPACT -T, -S, -TS, -BP (Continued)				
INTERNAL PARTS				
Part #	Description	Price	Core Charge*	Price plus Core
315536	DISPLAY PWA (8630AB05-A)	\$ 500.00	\$ 200.00	\$ 700.00
315537	SWITCH PWA (8640 AB)	\$ 350.00	\$ 150.00	\$ 500.00
315539	MAIN PWA (8610AB) (S/N's 3000-9999)	\$1,000.00	\$ 200.00	\$1,200.00
315578	MAIN PWA (8760AB) (S/N's 10000+)	\$1,000.00	\$ 200.00	\$1,200.00
315540	POWER SUPPLY PWA (8620 AB)	\$ 800.00	\$ 200.00	\$1,000.00
315581	POWER SUPPLY PWA (8580 AB)	\$ 800.00	\$ 200.00	\$1,000.00
633169	BATTERY, 3V6, 150MAH NIMH (FOR 8580 AB, PCB)	\$ 37.50		
315538	PRINTER PWA (8650 AB)	\$ 300.00	\$ 100.00	\$ 400.00
320703	LCD GRAPHICS ASSEMBLY (8616 AB)	\$ 245.50		
320708	ROTOR SWITCH (8639 AB)	\$ 125.00		
645189	NELLCOR SPO2 MODULE	\$ 800.00	\$ 200.00	\$ 1,000.00
759335CR	MOLDED BATTERY CONNECTOR (8625 MA)	\$ 31.00		
704734CR	CONTACT,BATTERY (Each)	\$ 19.50		
320692	PUMP ASSEMBLY (CUS300020) (S/N's 3000-9999)	TBD		
320727	PUMP ASSEMBLY (8763AJ) (S/N's 10000+)	\$ 500.00	\$ 100.00	\$ 600.00
320707	SPEAKER (8635AB)	\$ 22.00		
750199	MOULDING,PAD,ADHESIVE,SPEAKER	\$ 5.00		
316605	DC POWER CABLE (8608 AB) (and Power input Connector)	\$ 85.00		
316606	ASSY,CABLE,SPO2,FRONT	\$ 250.00	\$ 100.00	\$ 350.00
316607	ASSEMBLY,CABLE,TEMPERATURE,FRONT	\$ 64.50		
316608	PRINTER CABLE (8619 AB)	TBD		
320709	REAR CONNECTOR PLATE ASSEMBLY (8649 AB)	TBD		
740185	TUBING	\$ 9.00 / Ft.		
	PRINTER			
690173	PRINTER,HTP-4050,60.0W PAPER,5V (No longer available)			
320710	PRINTER ASSEMBLY (8651 AB)	\$ 400.00		
737192	ROLLER KIT,FOR HTP-4050	\$ 30.00		

ALL PRICES SUBJECT TO CHANGE WITHOUT NOTICE.

REVISED 12/15/11

\$10.00 HANDELING FOR ORDERS UNDER \$50.00.

PRICES ARE IN US DOLLARS.

PRICES DO NOT INCLUDE SHIPPING AND HANDELING.



Electronic Diagnostic and Repair
 7520 W. Waters Av.
 Suite 16
 Tampa, Fl. 33615

Ph: 888-891-EDR1 (3371)
 Ph: 813-887-3883
 Fax: 813-885-4033

COMPACT ACCESSORIES				
Part #	Description	Price	Core Charge*	Price plus Core
	CUFFs, (SAME AS 8100s)			
107365	AIR HOSE ADULT/PED 12FT, GRAY	\$ 90.00		
107366	AIR HOSE, ADULT/PED,24 FT, GRAY	TBD		
107368	AIR HOSE, NEONATAL 12 FT, TEAL	\$ 75.00		
330073	CONNECTOR,AIR HOSE,GRAY	\$ 11.00		
330077	O-RING, AAIR HISE,MONITOR END 20/PK (COMPACT, MPS, PRO)	\$ 25.00		
TP11411	PROBE, TEMPERATURE ORAL (BLUE), (008975)	\$ 185.00		
TP11412	PROBE, TEMPERATURE RECTAL (RED), (008976)	\$ 185.00		
320732	PROBE HOLDER ASSY,COMPACT,U.S.	\$ 82.50		
407705-006	SPO2 FINGER SENSOR (DS100A) (615114)	\$ 345.00		
601186	SPO2 EXTENSION CABLE (EC-8)	\$ 168.00		
328980	COMPACT OPERATIONS MANUAL	\$ 50.00		
328856	COMPACT SERVICE MANUAL	\$ 300.00		
003210	PORTABLE STAND WITH BASKET	\$ 137.50		
003211	MOBILE BASE FOR STAND 003210	\$ 150.00		
320635	TEMPERATURE CALIBRATION PLUG	\$ 57.58		
320685	NIBP CALIBRATION KIT	TBD		
089100	PRINTER PAPER	\$ 84.00	Box of 10	
633132	BATTERY 12V 2.3AH LEAD ACID	\$ 55.00		
117277- COMPACT	AC-DC CONVERTER (24 VDC, 3.33 A) (100-240V, 50-60 HZ)	\$ 250.00		

ALL PRICES SUBJECT TO CHANGE WITHOUT NOTICE.

REVISED 12/15/11

\$10.00 HANDELING FOR ORDERS UNDER \$50.00.

PRICES ARE IN US DOLLARS.

PRICES DO NOT INCLUDE SHIPPING AND HANDELING.



Electronic Diagnostic and Repair
 7520 W. Waters Av.
 Suite 16
 Tampa, Fl. 33615

Ph: 888-891-EDR1 (3371)
 Ph: 813-887-3883
 Fax: 813-885-4033

PLUS: 8700 AND 9700 SERIES				
Part #	Description	Price	Core Charge*	Price plus Core
701329	OVERLAY, DISPLAY, 8700/9700	\$ 91.00		
759258	BEZEL, MOLDED	\$ 74.00		
701347	OVERLAY, CONNECTORS, ENGLISH, 8700	\$ 30.00		
701343	OVERLAY, CONNECTORS, ENGLISH, 8710	\$ 30.00		
701328	OVERLAY, CONNECTORS, 8720	\$ 30.00		
701385	OVERLAY, CONNECTORS, 9700/9704, (SP02 only)	\$ 20.00		
701394	OVERLAY, CONNECTORS, 9700/9704	\$ 164.00		
701395	OVERLAY, CONNECTORS, 9710/9714	\$ 35.00		
701396	OVERLAY, CONNECTORS, 9720/9724	\$ 30.00		
332201	BEZEL, ENGLISH, WITH 701329 OVERLAY	\$ 145.00		
332202	BEZEL, GERMAN	\$ 74.00		
332203	BEZEL, FRENCH			
332204	BEZEL, JAPANESE			
332205	BEZEL, SPANISH			
300909	REAR CASE WITH LABELS, 87x0	\$ 187.20		
300910	REAR CASE WITH LABELS, 87x1			
300911	REAR CASE WITH LABELS, 87x2			
300912	REAR CASE WITH LABELS, 87x3			
300913	REAR CASE WITH LABELS, 87x4			
300914	REAR CASE WITH LABELS, 87x5			
300915	REAR CASE WITH LABELS, 97x0	\$ 187.20		
759248	INTERNAL FRAME, BOTTOM			
759251	INTERNAL FRAME, TOP	\$ 20.00		
759245	HANDLE	\$ 55.00		
759313	CONNECTOR PLATE			
759307	LATCH,CABLE RETENTION, (Sp02)	\$ 12.00		
316565	CABLE ASSY, ECG, BLACK	\$ 45.00		
316566	CABLE ASSY, IBP	\$ 45.00		
316567	CABLE ASSY, TEMPERATURE	\$ 30.00		
316488	CABLE ASSY, OXIMETRY, (Sp02), (Circular Connector)	\$ 86.00		
320565	FAN ASSEMBLY	\$ 72.00		
320663	POWER ENTRY ASSEMBLY	\$ 78.00		
320538	KEYBOARD ASSEMBLY	\$ 160.00		
320535	SPEAKER & HOUSING ASSEMBLY	\$ 50.00		
614198	ELECTROLUMINESCENT DISPLAY			
614198-1	ELECTROLUMINESCENT DISPLAY (USED)	\$ 700.00		
320623	PUMP ASSMEMBLY (EXCHANGE)	\$ 375.00	\$ 100.00	\$ 475.00
633132	BATTERY,12V,RECHARGEABLE (FOR 008726 PNTR MODULE)	\$ 55.00		
008733	POLE MOUNT ASSEMBLY	\$ 150.00		

ALL PRICES SUBJECT TO CHANGE WITHOUT NOTICE.

REVISED 12/15/11

\$10.00 HANDELING FOR ORDERS UNDER \$50.00.

PRICES ARE IN US DOLLARS.

PRICES DO NOT INCLUDE SHIPPING AND HANDELING.



Electronic Diagnostic and Repair
 7520 W. Waters Av.
 Suite 16
 Tampa, Fl. 33615

Ph: 888-891-EDR1 (3371)
 Ph: 813-887-3883
 Fax: 813-885-4033

PLUS: 8700 AND 9700 SERIES				
Part #	Description	Price	Core Charge*	Price plus Core
315371	BATTERY SWITCH PWA	\$ 400.00	\$ 200.00	\$ 600.00
315386	87xx SYSTEM PROCESSOR, PWA	\$ 675.00	\$ 300.00	\$ 975.00
315500	87xx SYSTEM PROCESSOR, PWA	\$ 675.00	\$ 300.00	\$ 975.00
315398	97xx SYSTEM PROCESSOR, PWA	\$ 675.00	\$ 300.00	\$ 975.00
320576	87xx ANALOG PWA	\$ 700.00	\$ 300.00	\$ 1,000.00
315359	See 320576			
320615	97xx NANALOG ASSEMBLY	\$ 900.00	\$ 200.00	\$ 1,100.00
315393	NANLOG, PWA, (97xx), (See 320615)	\$ 500.00	\$ 200.00	\$ 700.00
315427	PNEUMATICS PWA	\$ 450.00	\$ 200.00	\$ 650.00
315387	PWA,PNEUMATICS	\$ 450.00	\$ 200.00	\$ 650.00
320628	PNEUMATICS PWA (FRENCH)			
315501	POWER SUPPLY PWA			
315377	POWER SUPPLY PWA (for units starting with s/n L1500)	\$ 745.00	\$ 250.00	\$ 995.00
315502	MOTHERBOARD PWA	\$ 2,012.00		
315496	MOTHERBOARD PWA (FRENCH)			
320660	DAS MODULE	\$ 1,326.00		
600-06012-80	AR42 PRINTER DOOR ASSEMBLY	\$ 85.00		
600-06012-82	AR42 DRIVE ROLLER ASSEMBLY	\$ 45.00		
690159	PRINTER,THERMAL ARRAY (WAVEFORM)	\$ 400.00		
	ACCESSORIES			
328586	MANUAL, PLUS, OPERATION, 8700	\$ 211.00		
328585	MANUAL, PLUS, OPERATION, 8710/8720	\$ 211.00		
329103	ASSY,SERV MANUAL W/CAL POUCH, (87xx / 97xx)	\$ 250.00		
	AIR HOSE, (Same as 8100s)			
	CUFFs, (Same as 8100s)			
008732	ECG CABLE AND LEAD SET, (AHA),3 LEAD,PLUS	\$ 595.00		
E107326	ECG CABLE	\$ 150.00		
E107230	ECG LEAD WIRE SET, 3 LEAD, SNAP	\$ 135.00		
107320	CABLE, ECG, 6 LEAD, (AHA)	\$ 212.00		
107233	ECG, 6 WIRE SET, GRAY SNAP 100/130CM AHA	\$ 175.00		
009084	SpO2 FINGER SENSOR 8700 (Sensormedics)	\$ 293.50		
008731	SpO2 EXTENSION CABLE 8700 (Sensormedics)	\$ 247.50		
407705-006	SpO2 FINGER SENSOR (DS100A) (615114), 9700 (Nellcor)	\$ 345.00		
601186	SpO2 EXTENSION CABLE (EC-8) 9700 (Nellcor)	\$ 168.00		
008736	PAPER, RECORDER,PLUS,MPS, BOX OF 10	\$ 96.00		
320624	CABLE/HOSE STRAP BUNDLER ASSY	\$ 43.00		

ALL PRICES SUBJECT TO CHANGE WITHOUT NOTICE.

REVISED 12/15/11

\$10.00 HANDELING FOR ORDERS UNDER \$50.00.

PRICES ARE IN US DOLLARS.

PRICES DO NOT INCLUDE SHIPPING AND HANDELING.



Electronic Diagnostic and Repair
 7520 W. Waters Av.
 Suite 16
 Tampa, Fl. 33615

Ph: 888-891-EDR1 (3371)
 Ph: 813-887-3883
 Fax: 813-885-4033

Dinamap Select MPS Portable					
Display type		External parts			
Mono. 117220	Color 117222				
Part #	Part #	Description	Price	Core Charge*	Price plus Core
748329		REAR COVER			
748327		REAR CASE	\$ 40.00		
748328		HANDLE	\$ 48.00		
748330		FRONT BEZEL, MONO			
	748333	FRONT BEZEL, COLOR	\$ 99.34		
748336		FRONT BEZEL, INTERNATIONAL, MONO	\$ 99.34		
	748337	FRONT BEZEL, INTERNATIONAL, COLOR			
748332		REAR BEZEL	\$ 40.00		
748326		ENCLOSURE, FRONT	\$ 94.00		
748327		ENCLOSURE, BACK	\$ 60.00		
748328		HANDLE	\$ 50.00		
748329		ENCLOSURE, REAR	\$ 64.00		
759336		KNOB	\$ 34.00		
748335		BATTERY DOOR			
710120		BEDRAIL HOOK	\$ 48.00		
701640		COVER,MODULE SLOT	\$ 60.00		
		Internal parts			
320699		PROCESSOR BOX ASSEMBLY	\$ 750.00	\$ 200.00	\$ 950.00
759320		KEYPAD (SILICON BUTTONS)	\$ 95.00		
315530		USER INTERFACE PWA	\$ 375.00	\$ 200.00	\$ 575.00
315523		BACKPLANE PWA	\$ 165.00		
315524		SYSTEM SUPPORT PWA			
315522		SYSTEM PROCESSOR PWA			
313117		I/O CA FLEX PWA	\$ 157.00		
313119		BATTERY FLEX PWA	\$ 385.00		
666117		ROTARY SWITCH	\$ 140.00		
614200		DISPLAY , MONOCHROME			
	614201	DISPLAY , COLOR			
614217		SCREEN,EMC,50 MESH	\$ 182.00		
600117		SPEAKER	\$ 8.00		
739132		FAN	\$ 45.00		
704941		PROCESSOR BOX ENCLOSURE			
633153		BATTERY,12V,NICKEL-METAL HYDRIDE	\$ 255.00		
633121		BATTERY,9V,ALKALINE	\$ 5.00		
117277		POWER SUPPLY, 24V, 3.33A	\$ 250.00		
328121		MANUAL , OPREATION, MPS PORTABLE	\$ 100.00		

ALL PRICES SUBJECT TO CHANGE WITHOUT NOTICE.

REVISED 12/15/11

\$10.00 HANDELING FOR ORDERS UNDER \$50.00.
 PRICES ARE IN US DOLLARS.

PRICES DO NOT INCLUDE SHIPPING AND HANDELING.



Electronic Diagnostic and Repair
 7520 W. Waters Av.
 Suite 16
 Tampa, Fl. 33615

Ph: 888-891-EDR1 (3371)
 Ph: 813-887-3883
 Fax: 813-885-4033

Dinamap Select MPS Desktop				
Part #	Description	Price	Core Charge*	Price plus Core
External Parts				
704902	BOTTOM CASE			
704901	TOP CASE	\$ 125.00		
748318	TOP GLOVE BOX			
748315	BOTTOM GLOVE BOX			
704888	FRONT BEZEL	\$ 99.34		
704887	DISPLAY REAR CASE	\$ 104.00		
704920	DISPLAY BEZEL CHIN	\$ 44.00		
759336	KNOB	\$ 34.00		
748319	FACE PLATE			
320670	POWER SUPPLY ASSEMBLY			
701640	COVER,MODULE SLOT (See Select MPS Portable)			
Internal Parts				
759320	KEYPAD (SILICON BUTTONS)	\$ 95.00		
315465	SYSTEM SUPPORT PWA			
315448	BACKPLANE PWA	\$ 200.00		
315432	SYSTEM PROCESSOR PWA			
315550	SYSTEM PROCESSOR PWA	\$ 1,200.00	\$ 300.00	\$ 1,500.00
315466	DISPLAY USER INTERFACE PWA (Keypad PWA)	\$ 375.00	\$ 200.00	\$ 575.00
666117????	ROTARY SWITCHY			
614188	COLOR DISPLAY			
614189	MONOCHROME DISPLAY			
320671	FAN ASSEMBLY	\$ 42.00		
320645	BATTERY PACK			
633143	BATTERY,3.6V,LITHIUM,2 WIRE LEAD	\$ 20.00		

ALL PRICES SUBJECT TO CHANGE WITHOUT NOTICE.

REVISED 12/15/11

\$10.00 HANDELING FOR ORDERS UNDER \$50.00.

PRICES ARE IN US DOLLARS.

PRICES DO NOT INCLUDE SHIPPING AND HANDELING.



Electronic Diagnostic and Repair
 7520 W. Waters Av.
 Suite 16
 Tampa, Fl. 33615

Ph: 888-891-EDR1 (3371)
 Ph: 813-887-3883
 Fax: 813-885-4033

Dinamap Select MPS Desktop and Portable

Part #	Description	Price
ACCESSORIES		
407705-006	SPO2 FINGER SENSOR (DS100A) (615114)	\$ 345.00
601186	SPO2 EXTENSION CABLE (EC-8)	\$ 168.00
008732	ECG CABLE AND LEAD SET, (AHA),3 LEAD,PLUS	\$ 595.00
E107326	ECG CABLE	\$ 150.00
E107230	ECG LEAD WIRE SET, 3 LEAD, SNAP	\$ 135.00
107365	AIR HOSE ADULT/PED 12FT, GRAY	\$ 90.00
330073	CONNECTOR,AIR HOSE,GRAY	\$ 11.00
008736	SELECT RECORDER MODULE PAPER	\$ 96.00

ALL PRICES SUBJECT TO CHANGE WITHOUT NOTICE.

REVISED 12/15/11

\$10.00 HANDELING FOR ORDERS UNDER \$50.00.

PRICES ARE IN US DOLLARS.

PRICES DO NOT INCLUDE SHIPPING AND HANDELING.



Electronic Diagnostic and Repair
 7520 W. Waters Av.
 Suite 16
 Tampa, Fl. 33615

Ph: 888-891-EDR1 (3371)
 Ph: 813-887-3883
 Fax: 813-885-4033

Model	Description	Part Number	Price
Pro 1000	Speaker	320747	\$ 40.00
		320757	
Pro 1000	24V Power Supply	2018767-001	\$ 220.00
Pro 1000	Battery Pack	633177	\$ 360.00
Pro 1000	Connector Side Plate	705109	\$ 50.00
		315589	\$490.00, \$100.00, \$590.00
Pro 1000, V1-V3	PWA, ECG/RESP	2013778-001	Price, Core, Total
		701502	
Pro 1000, V1-V3	Fascia, Keypad	2009249-001	\$ 83.00
Pro 1000	Battery Pack	2014833-001	\$ 275.00
Pro 1000	Main Board	315592-001	
		2007787-002	\$850.00, \$300.00, \$1,150.00
Pro 100, 300	PWA, Main Board, W/O Temp	301116	Price, Core, Total
Pro 200	LABEL , FASCIA	2008451-001	\$ 45.00
	PWA, POWER SUPPLY UNIT	315588	
			\$1,700.00, \$300.00, \$2,000.00
Pro 300	PWA, Main Board, W/O Temp	301116	Price, Core, Total
			\$1,700.00, \$300.00, \$2,000.00
Pro 300	PWA, Main Board, With Temp	301115	Price, Core, Total
		701491	
Pro 100-400	PLASTIC FRONT CASE	2012405-001	\$ 78.35
Pro 100-400	Pump assembly	320754	\$ 875.00
			\$400.00, \$100.00, \$500.00
Pro 100-400	Pump assembly (used)	320754	Price, Core, Total
Pro 200, V2	PLASTIC FRONT CASE, DP210/410 (W/ TEMP)	2012405-001	\$ 85.00
Pro 200, V2	LABEL , FASCIA, PRO 210 US & UK	2012441-001	\$ 95.00
Pro 200, V2	ROTOR KNOB (T1310 M01)	2012414-001	\$ 55.00
		2012402-001	
		2012565-001	
Pro 100, V2	PWA, MAIN	2024862-004	
Pro 100, V2	Front Panel Overlay	2012447-001	\$ 135.00
			\$1,845.00, \$300.00, \$2,145.00
Pro 200, V2	PWA, MAIN	2024862-003	Price, Core, Total
Pro 300, V2	PWA, MAIN	2024862-002	
Pro 300, V2	LABEL , FASCIA, PRO 310 US & UK	2012435-001	\$ 150.00
Pro 300, V2	FRONT CASE, DP110/310 (W/O TEMP)	2012406-001	\$ 80.00

ALL PRICES SUBJECT TO CHANGE WITHOUT NOTICE.

REVISED 12/15/11

\$10.00 HANDLING FOR ORDERS UNDER \$50.00.

PRICES ARE IN US DOLLARS.

PRICES DO NOT INCLUDE SHIPPING AND HANDLING.



Electronic Diagnostic and Repair
 7520 W. Waters Av.
 Suite 16
 Tampa, Fl. 33615

Ph: 888-891-EDR1 (3371)
 Ph: 813-887-3883
 Fax: 813-885-4033

Model	Description	Part Number	Price
Pro 400, V2	PWA, MAIN	2024862-001	2157.818
			\$845.00, \$200.00, \$1,045.00
Pro 100-400, V2	PWA, PSU	2012401-001	Price, Core, Total
		315584	
		No Longer Available	\$500.00, \$100.00, \$600.00
Pro 400, V2	PWA, SP02		Price, Core, Total
			\$1,845.00, \$300.00, \$2,145.00
Pro 400, V2	PWA, MAIN	2024862-001	Price, Core, Total
Pro 400, V2	Front Case PRO 400 (NELCORE Sp02)	701491	\$ 79.00
Pro 400, V2	Battery Door	704350	\$ 30.00
Pro 100-400, V2	Rear Case, Labels & ac conn.	2012404-001	\$ 115.00
Pro 400, V2	Ft Pnl Facia	2012419-001	\$ 131.00
Pro 400, V2	Battery Door	2012408-001	\$ 45.00
		2012411-001	
Pro 100-400	Printer Module Assy.	2012411-002	\$ 493.31
Pro 100-400	Printer Door Kit	2012563-001	\$ 35.00
Pro 100-400	Same As ProCare		
Pro 100-400	SP02 Cover Plate	752327	\$ 2.20
		2012399-001	
Pro 400	Assy,Nellcore SPO2, Bundler MO506	2030109-001	\$ 850.00
	Plastics Kit, (with Printer)		
	Front, Rear, Handle, NIBP Conn. Lables,		
Pro Care 100-400	Cards	2009915-001	\$ 297.00
Pro Care 100-400	Plastics Kit, (with out Printer)	2009915-002	\$ 259.00
Pro Care 300	FASCIA, ENGLISH, 300 LABEL KIT	2010478-001	\$ 120.00
Pro Care 100-400	PWA User Interface	2009912-001	\$ 501.00
	Plastic Kit, Temp,		
	Front & Rear Case, Mtg Bkt & Guide		
Pro Care 100-400	Sensor & Cable	2009918-001	\$ 109.00
Pro Care 100-400	Tempreture Probe Oral	2008774-001	\$ 195.00
	Power Supply	2018859-001	\$ 75.00
Pro Care 100-400	PWA Main Board	2009911-001	\$ 1,710.00
Pro Care 100-400	Pump assembly	2009920-001	\$ 493.00
Pro Care 100-400	PWA Display Board	2009912-001	\$ 624.30
		633178CR	
Pro Care 100-400	Battery, 6V, 3.3 A	2037103-016	\$ 54.00
		2009913-001	
Pro Care 400	SP02 MODULE, NELLCORE	2030094-001	\$ 1,008.00
Pro Care 400	SP02 MODULE, MASIMO	2009914-001	\$ 1,392.00
		419743-002	
Dash 3000	Printer	2030406-001	\$ 803.30
	Overlay	2012435-001	\$ 95.00

ALL PRICES SUBJECT TO CHANGE WITHOUT NOTICE.

REVISED 12/15/11

\$10.00 HANDELING FOR ORDERS UNDER \$50.00.

PRICES ARE IN US DOLLARS.

PRICES DO NOT INCLUDE SHIPPING AND HANDELING.